



• ED9225 Series.

DC Brushless fan.

Size: 92 x 92 x 25mm

3.6 x 1 Inches.

Airflow: Max. 66 CFM / 1.9 m3/min

Plastic Impeller / Plastic Frame.

Model No.	Rated Voltage VDC	Voltage Range VDC	Input Power Watt	Rated Current Amp	Ref Speed RPM	Max. Airflow CFM	m3/min	Max. Static Pressure Inch/H2O	mm/H2O	Noise Level dB (A)	PQ Curves
ED9225-05H**	5	4~7	1.5	0.32	2400	35	1	0.22	5.59	33	H
ED9225-05M **	5	4~7	1.3	0.25	2100	32	0.9	0.15	3.81	27	M
ED9225-05L**	5	4~7	0.9	0.18	1600	25	0.7	0.12	3.05	23	L
ED9225-12HHH**	12	7~13.6	3	0.29	3600	66	1.9	0.27	6.86	43	HHH
ED9225-12HH **	12	7~13.6	3	0.29	3300	60	1.7	0.25	6.35	38	HH
ED9225-12H**	12	7~13.6	3	0.29	2900	50	1.4	0.24	6.1	35	H
ED9225-12M**	12	7~13.6	2.1	0.20	2500	35	1	0.18	4.57	30	M
ED9225-12L**	12	7~13.6	1.4	0.12	1800	25	0.7	0.12	3.05	23	L
ED9225-24HHH**	24	12~27	3.5	0.18	3600	66	1.9	0.27	6.86	43	HHH
ED9225-24HH**	24	12~27	3.5	0.18	3300	60	1.7	0.25	6.35	38	HH
ED9225-24H**	24	12~27	3.5	0.18	2900	50	1.4	0.24	6.1	33	H
ED9225-24M**	24	12~27	2.8	0.12	2500	35	1	0.18	4.57	30	M
ED9225-24L**	24	12~27	2.4	0.10	1800	25	0.7	0.12	3.05	23	L
ED9225-48HHH)**	48	28~55	4.3	0.09	3600	66	1.9	0.27	6.86	43	HHH
ED9225-48HH**	48	28~55	4.3	0.09	3300	60	1.7	0.25	6.35	38	HH
ED9225-48H**	48	28~55	4.3	0.09	2900	50	1.4	0.24	6.1	32	H
ED9225-48M**	48	32~56	2.4	0.05	2500	35	1	0.18	4.57	30	M
ED9225-48L**	48	32~56	1.9	0.04	2100	32	0.9	0.15	3.81	27	L

** = "BL" for wire lead type Ball bearing Type.

•We reserve the right to change data and improve electrical & mechanical design without notice. data tolerance +10%

Motor

Motor Type: Brushless DC Motor, auto cutoff, auto restart
 Burnout Protection: Electronically protected, polarity protected
 IP Protection: Ratings on request

Mechanical

Frame: Glass fiber reinforced thermoplastic, rated UL94V-0
 Impeller: 7 blades, glass fiber reinforced plastic, rated UL94V-0
 Bearing: Two ball bearings
 Rotation: CCW seen on rotor
 Connection: Wire lead
 Weight: 80 g (0.176 Lbs)

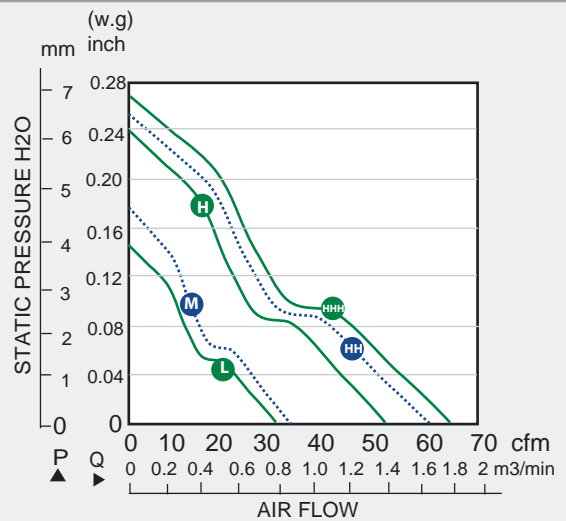
Electrical

Dielectric Strength: 500 VAC/min. Max leakage 500mA
 Speed Control: Optional: PWM, S/C NTC thermister on request
 Signal Output: Optional: R/D alarm output, tachometer output F/G

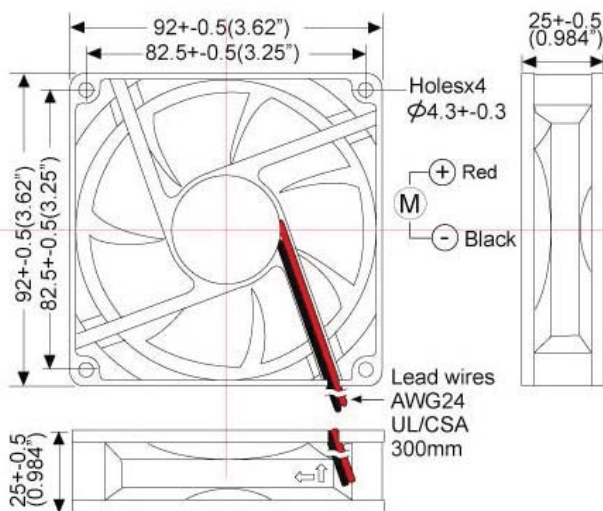
Environment

Operating Temp: Ambient non-condensing -15°C~+65°C
 Storage Temp: -25°C~+80°C (at 65%RH)
 Life Expectancy: L10 70K hours at 40°C, 60K hours at 65°C

▶ Performance P-Q Curves.



▶ Outline Dimensions.



Fan Accessories

